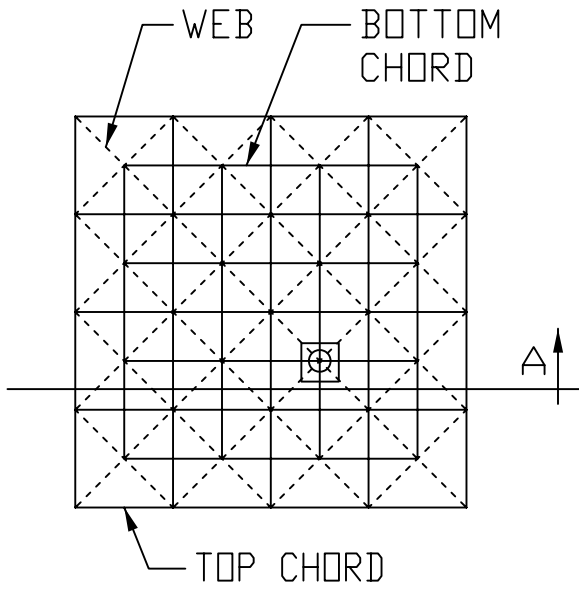
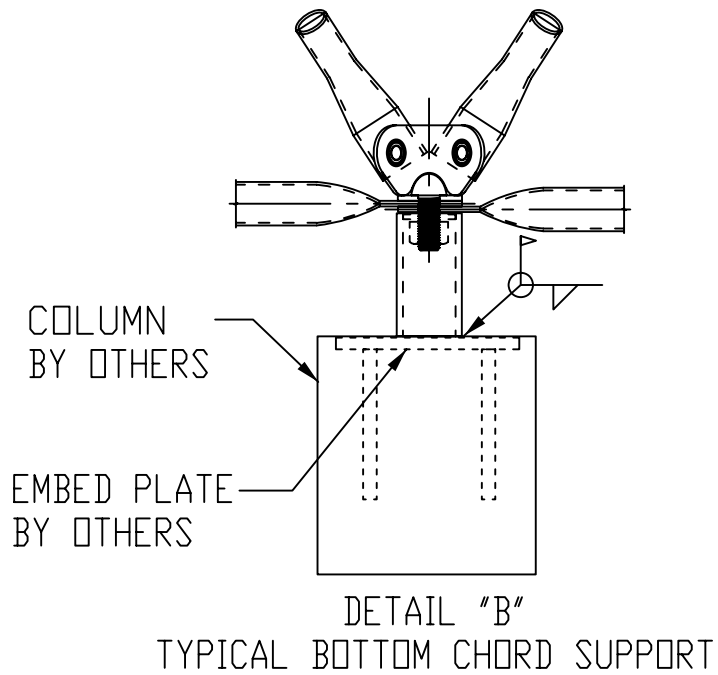


SECTION A



PLAN VIEW



DETAIL "B"  
TYPICAL BOTTOM CHORD SUPPORT

 Delta Structures, Inc.

864 Lively Blvd.  
Wood Dale, IL 60191  
(P) 630.694.8700  
(F) 630.694.8787

HEMISPHERICAL NODE (RW)  
PARTS AND TYPICAL DETAILS